

RATIONALE

THIS DESIGN STANDARD IS CREATED TO PROVIDE INTERFACE GEOMETRY FOR 5080 PSI FLARELESS HYDRAULIC FITTINGS.

AS5827

SAE Technical Standards Board Rules provide that: "This report is published by SAE to advance the state of technical and engineering sciences. The use of this report is entirely voluntary, and its applicability and suitability for any particular use, including any patent infringement arising therefrom, is the sole responsibility of the user." SAE reviews each technical report at least every five years at which time it may be reaffirmed, revised, or cancelled. SAE invites your written comments and suggestions.

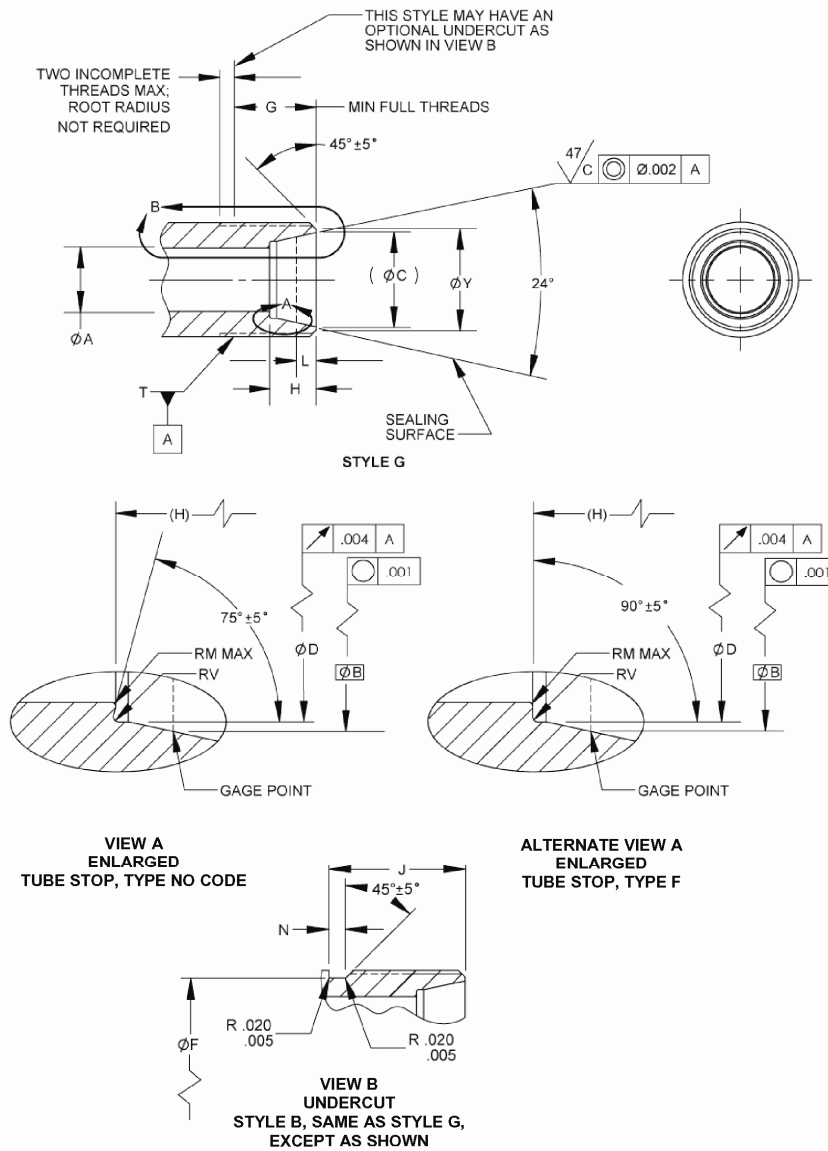
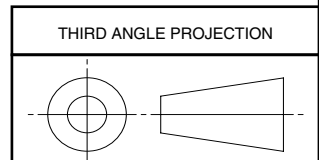


FIGURE 1 - FITTING END DESIGN, STYLE B AND G



CUSTODIAN: SAE G-3/G-3B

PROCUREMENT SPECIFICATION: NONE /1/



AEROSPACE STANDARD

FITTING END, FLARELESS,
EXTRA FINE THREAD, DESIGN STANDARD

AS5827
SHEET 1 OF 3